

60BU ÖKOALPIN

Technical data (Data may vary depending on type of fuel used)

Fuel	Wood
Energy class	A+
Heating capacity	8 kW / 6880 kcal
Performance	85,1 %
Diameter smoke outlet	Ø 120 mm
Minimum draught	12 Pa / 0.12 mbar
Temperature smoke outlet	270 °C
Smoke mass	8.0 g/s
CO at 13% O ₂	0.11 %
Weight	165 kg
Optional smoke outlet	8
Test report	C-944397-1
VKF AEAI - No.	22974
Firebox opening (L x H)	270 x 150 mm
Firebox measurements (L x D x H)	275 x 350 x 210 mm
Drawer measurements (L x D x H)	370 x 420 x 150 mm
Oven (L x D x H)	345 x 420 x 160 mm
Cooking hob (L x D)	500 x 500 mm
External air intake	Ø 80 mm
CO at 13% O ₂ (Carbon monoxide) / NO _x (Nitrogen oxide)	1354.0 mg/Nm ³ / 56.0 mg/MJ
Dust / OGC (Organic compounds)	39.0 mg/Nm ³ / 30.0 mg/MJ

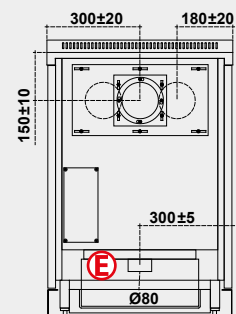
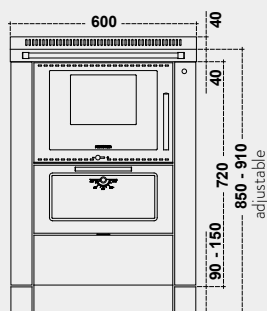
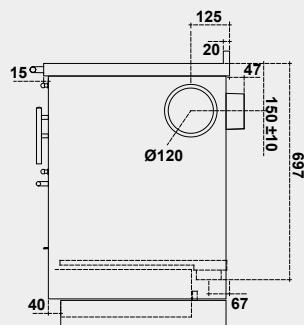
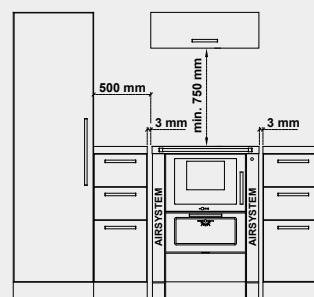
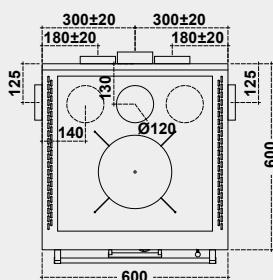
WARNING: Minimum safety distance from flammable materials

From the rear and side connection to the chimney * 40mm of insulation with heat conductivity equal to 0.07 W/mK at 200°C	P= 0 + 40* mm Following agreement with chimney sweep
On the side above the plate	L= 500 mm
On the side below the plate	L= 3 mm
Above the plate	Min. 750 mm
In the front from the middle of the fire door	R= 250 mm
Plate for floor protection	Based on specific country directives

NB: Available in right and left version



To operate the oven light, install a Schuko socket either a) behind the wood drawer at a maximum height of 130mm from the floor, or b) at a maximum distance from the kitchen stove of 500 mm



Ein Unternehmen aus
SÜDTIROL